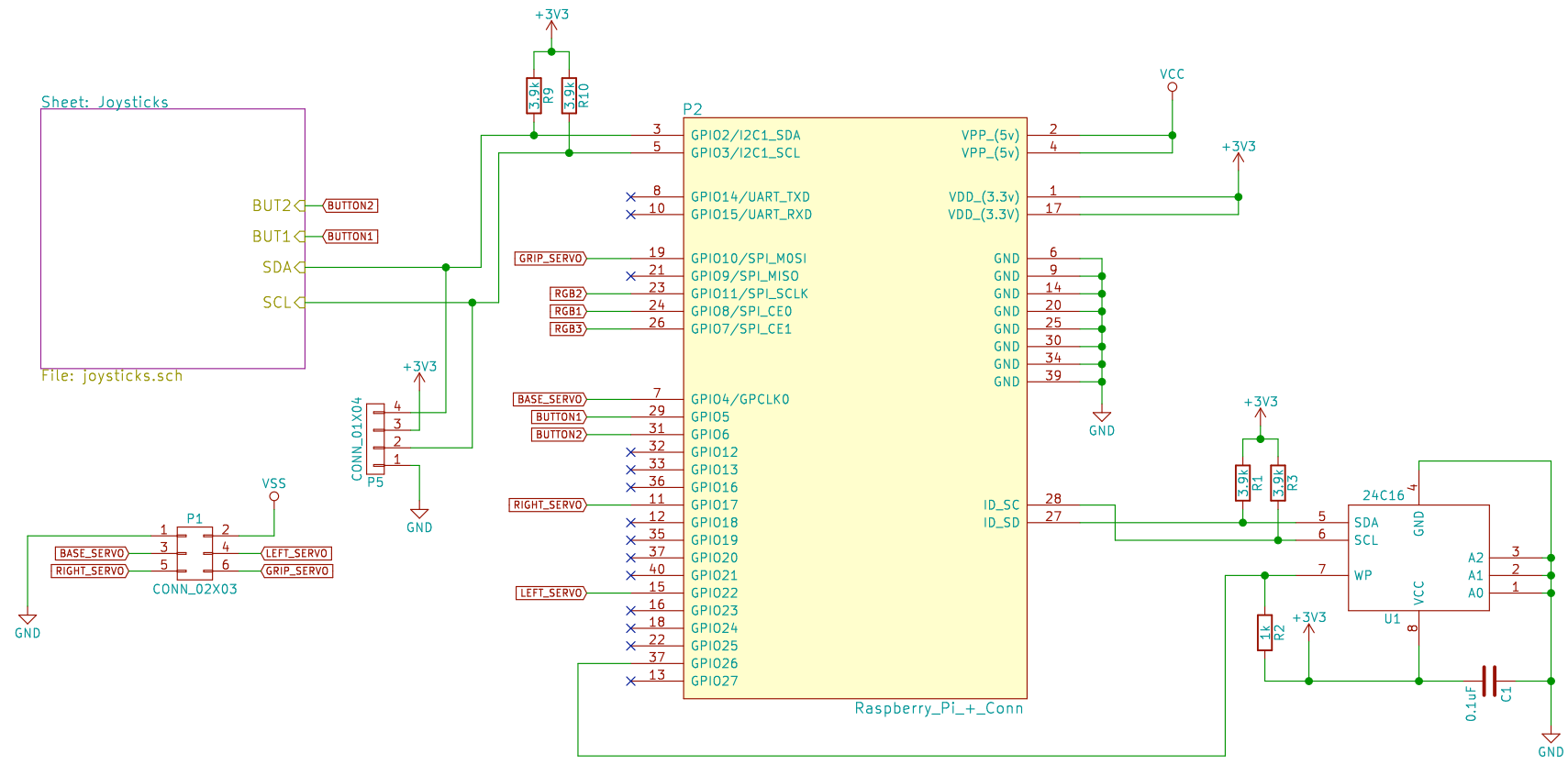


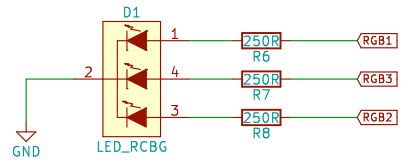
Sheet: Joysticks

File: joysticks.sch



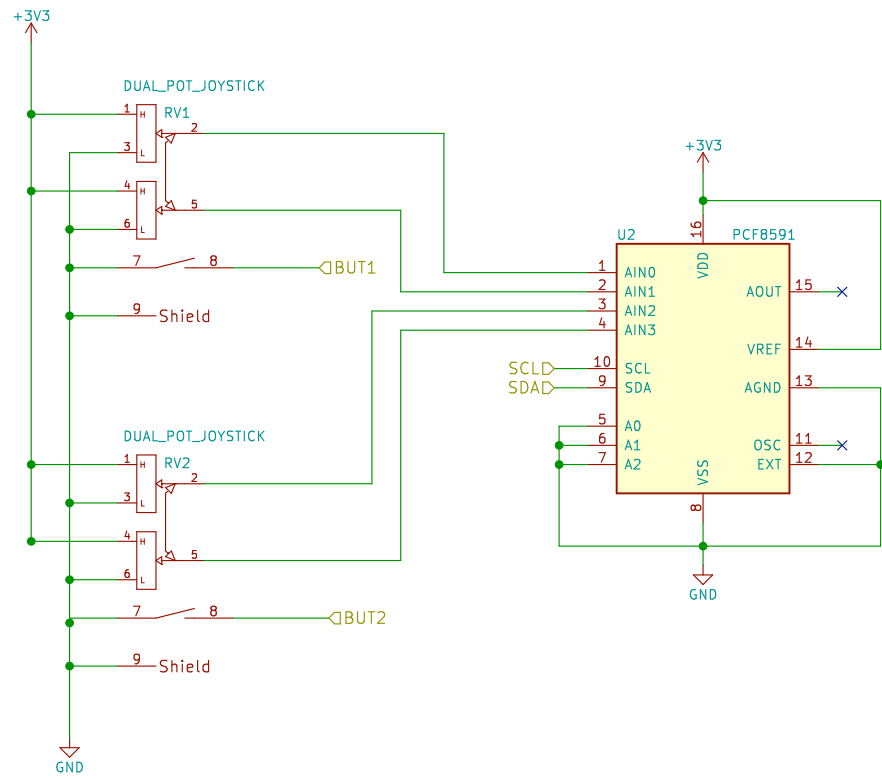
Sheet: Power

File: power.sch



OSHW Logo Logo

Sheet: /		File: MeArmPIHat.sch	
Title:			
Size: A4	Date:		
KiCad E.D.A. kicad 4.0.4-stable		Rev: 1/3	



Sheet: /Joysticks/
 File: joysticks.sch

Title:

Size: A4 Date:
 KiCad E.D.A. kicad 4.0.4-stable

Rev:
 Id: 2/3

